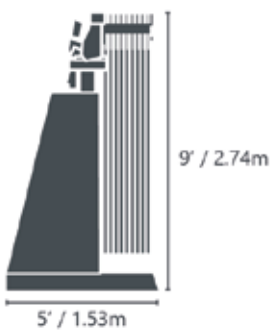


Smartflower technical data

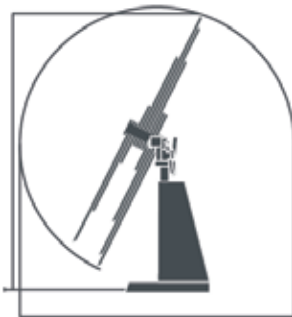
SMARTFLOWER TECHNICAL DATA		INSTALLATION	
Nominal output	2.5 kWp *	4 fastening points to foundation	
Output with 2-axis tracking	4,000-6,500 kWh / a**	Assembly with earth screws, concrete foundation or a pre-cast concrete pad	
SYSTEM		APPLICATION AREA	
Panel Type	Glass / Backsheet	Temperature Range	See Table Above
Panel Power Output Warranty	25 years	Humidity	0 – 95% (non condensing)
Panel Product Warranty	10 years	Maximum altitude (Primo)	13,123 ft. 4000 m
		Maximum altitude (Symo)	7,874 ft 2400 m
Cell type	Monocrystalline PERC	ELECTRICAL CONNECTIONS	
Inverter	Integrated with unit	Up to 100 ft (Primo 3.8)	4 x 12 AWG (L1, L2, N, PE)
		Up to 100 ft (Primo 3.0)	3 x 2.5-16mm (L1, N, PE)
		Up to 100 ft (Symo 3.0)	5 x 2.5 -16mm (L1, L2, L3, N, PE)
System Weight	1,550 lb 703 kg	From 100 ft onwards	Accommodate for voltage drop
System Warranty	2 years	The grid connection must be secured with 20A (16A for Primo 3.0 and 10A for Symo 3.0) circuit breaker.	Local standards must be followed
System self-consumption per year	Approx. 400 kWh	Wind guard incl. 32 ft / 9.75m cable length.	
Agency Approval	UL 3703, UL 1703, UL 1004, CEC, CSA, CE, FCC Class B * For EU see Table Above	Network / LAN cable recommended (CAT 6e or CAT7), RJ45 connector.	
Shipping Dimensions:		*If using a 208 VAC connection, please contact Smartflower before installation	
Vertical Packaging	1650 x 1190 x 2680		
Horizontal Packaging (Special Order)	2819 x 1168 x 1854		

DIMENSIONS	FIXING POINTS / ORIENTATION
------------	-----------------------------

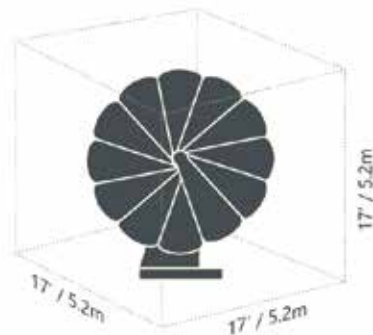
TRANSPORT POSITION



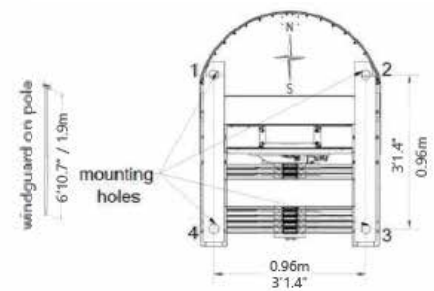
TRACKING, MAX. HEIGHT



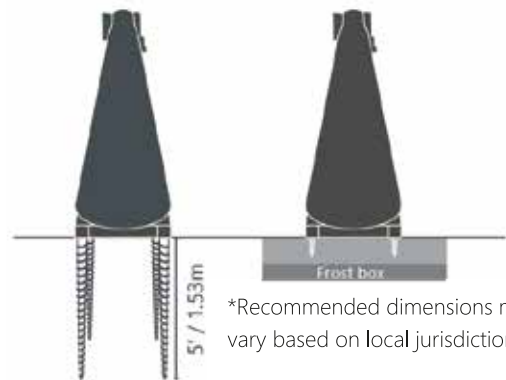
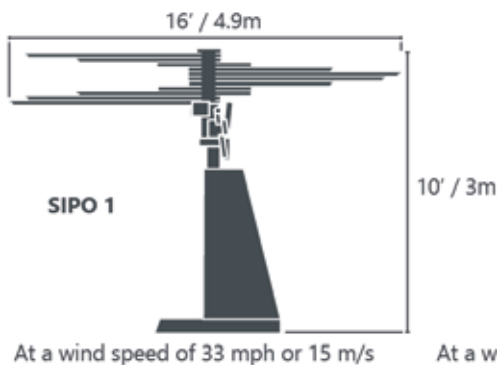
ACTIVE AREA



BOTTOM VIEW



SAFETY POSITIONS



*Recommended dimensions may vary based on local jurisdiction